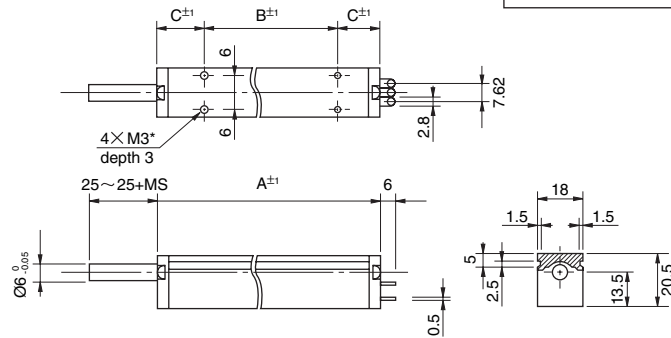


## 18FLPA



Conductive Plastic

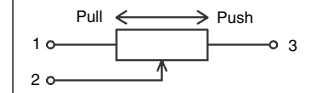
## Standard Dimensions



\*Note: Please do not screw the mounting screws over 3 mm in order to prevent the damage of the inside resistive element

Model No.	Mechanical Stroke (MS)	Dimensions		
		A	B	C
18FLPA15	15	50.0	25.0	12.5
18FLPA30	30	65.0	40.0	12.5
18FLPA50	50	85.0	50.0	17.5
18FLPA100	100	135.0	100.0	17.5

## Terminal Connection Diagram



## General Specifications

Model	18FLPA15	18FLPA30	18FLPA50	18FLPA100
Standard Resistance Values $\pm 10\%$	500, 1k, 2k, 5k, 10k $\Omega$	500, 1k, 2k, 5k, 10k $\Omega$	500, 1k, 2k, 5k, 10k $\Omega$	1k, 2k, 5k, 10k, 20k $\Omega$
Independent Linearity	Standard Class	$\pm 0.7\%$	$\pm 0.4\%$	$\pm 0.3\%$
	Precision Class	$\pm 0.5\%$	$\pm 0.25\%$	$\pm 0.2\%$
Electrical Stroke	15 $\pm 0.5$ mm	30 $\pm 0.5$ mm	50 $\pm 0.5$ mm	100 $\pm 0.5$ mm
Mechanical Stroke	15 $\pm 0.5$ mm	30 $\pm 0.5$ mm	50 $\pm 0.5$ mm	100 $\pm 0.5$ mm
Resolution	Essentially infinite			
Output Smoothness	Below 0.1% against input voltage			
Contact Resistance Variation	Below 2% C. R. V.			
Power Rating	0.3 W	0.6 W	0.75 W	1.25 W
Recommended Wiper Current	<10 $\mu$ A			
Friction	Below 0.3 N		Below 1 N	
Resistance Temperature Coefficient	$\pm 400$ p.p.m./ $^{\circ}$ C			
Weight	~ 60 g	~ 70 g	~ 100 g	~ 140 g

## Environmental Specifications

Operating Temperature Range	~ -30 $^{\circ}$ C – +105 $^{\circ}$ C
Shock	50 g
Vibration	10 Hz to 2,000 Hz, 15 g
Life Expectancy	~ 20,000,000 reciprocating motions
Sealing	Std IP40, IP65 possible

## Special Specification Examples

Better tolerances of resistance and linearity. Fractional resistance values. Other electrical or mechanical strokes. Stroke 150 mm (S18FLPA150). Stroke 200 mm (S18FLPA200). Sealed type (IP54, the length of "A" is extended by about 6 mm). With spring return device (up to 100 mm stroke, friction is 3 N). Spring return device is mounted on the outer shaft and the shaft is extended by some extent depending on the models. (For details, please ask us.) Special machining on the shaft.

Subject to change without prior notice. We refer to our general terms and conditions.

Contact:	E-mail <a href="mailto:info@caldaro.com">info@caldaro.com</a>	Main +46 (0)8 736 12 70
	Internet <a href="http://www.caldaro.com">www.caldaro.com</a>	United Kingdom 0800 169 7950
		Germany +49 (0)6136 760 56 00