

JOYSTICK MODELS



CO3A

A narrow dimension 3-axis joystick with proportional redundant output on all axis. It comes with fingertip control knob and suits various types of medical and industrial applications when a compact joystick controller is needed.

Specifications

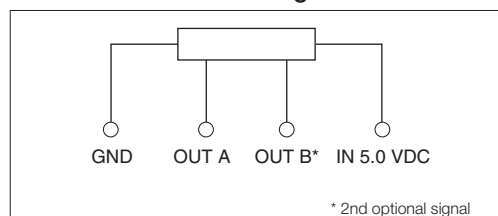
Mechanical performance

Operating force X and Y directions: ~ 1.5 – 3.5 N
 Operating force Z direction: ~ 15 – 30 mNm
 Seal: IP54 (rubber boot), IP40 (without rubber boot)

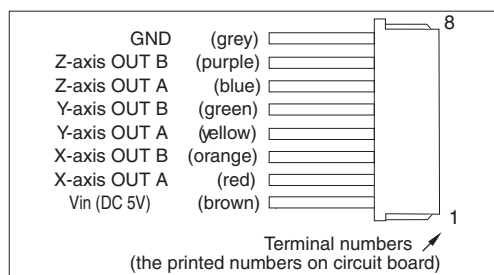
Electrical performance

Sensor technology: Hall effect, ratiometric
 Current consumption: ~7 mA per output
 Independent linearity tolerance: ±3% FS
 EMC: 50 V/m

Terminal connection diagram: Hall effect



Molex receptacle 51021-0800 with 300 mm long 0.09 mm² lead wire is attached



Tailored product examples

Vehicle controller



3-axis joystick with rubber boot and dual crossed outputs.

Info kiosk



2-axis joystick with special wiring.

Industrial control



Special wired 3-axis joystick pre-assembled at customer plastic housing.

Subject to change without prior notice. We refer to our general terms and conditions.

Contact:	e-mail info@caldaro.com	Main +46 (0)8 736 1270
	internet www.caldaro.com	United Kingdom 0800 169 7950
		Germany +49 (0)6136 760 5600

CALDARO

JOYSTICK MODELS

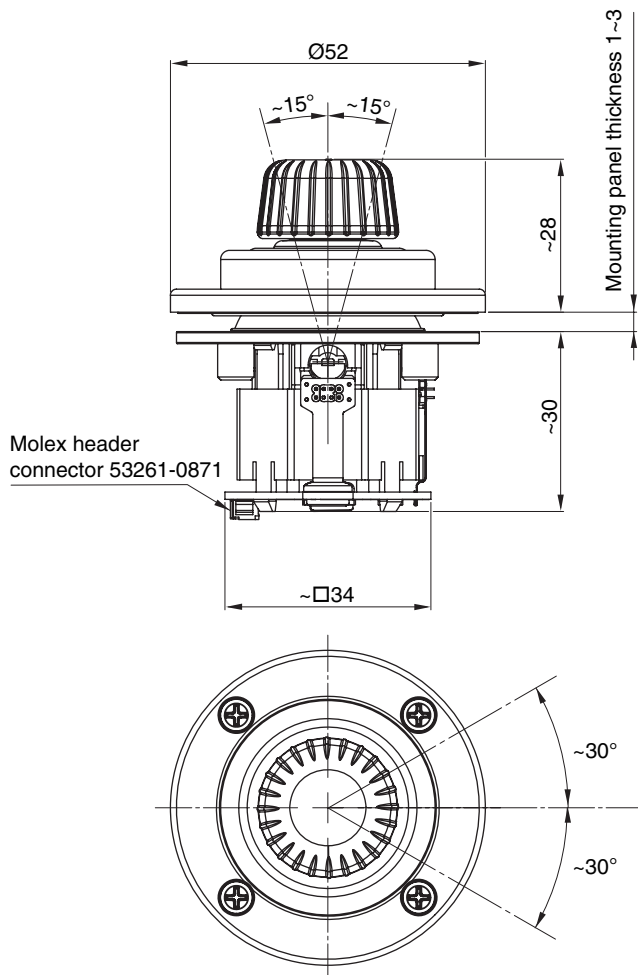


C03A

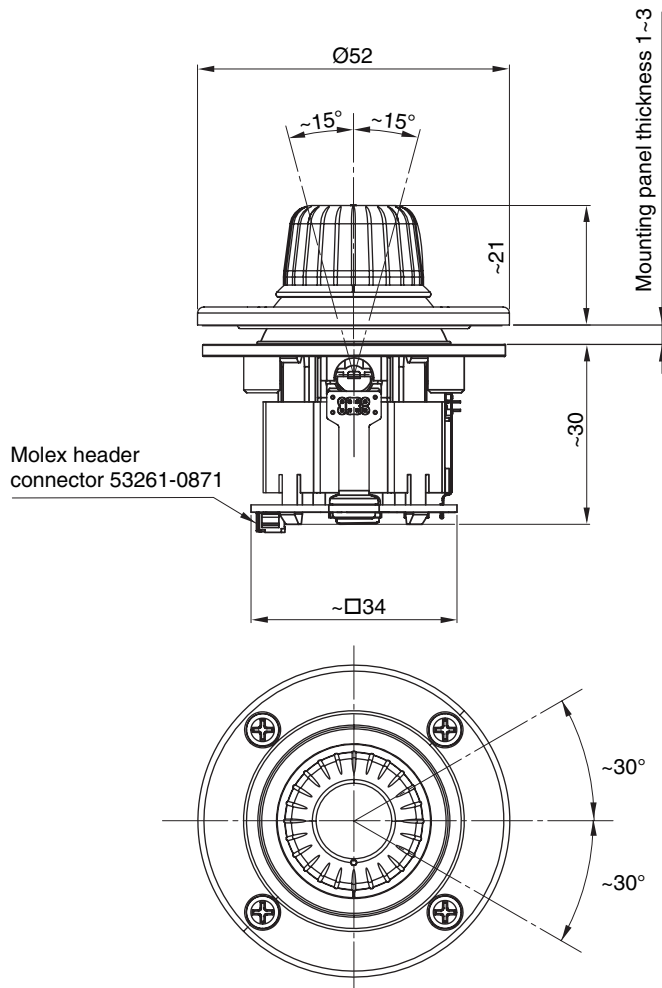
Standard dimensions

(unit: mm)

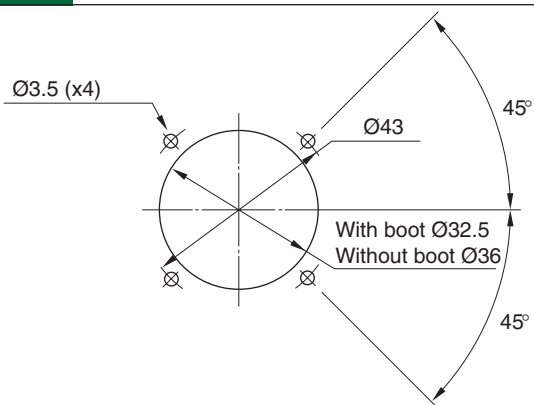
**With rubber boot
C03A-03HCS-3SNRS**



**Without rubber boot
C03A-03HCS-3SNNS**



Panel arrangement



Subject to change without prior notice. We refer to our general terms and conditions.

Contact:	e-mail info@caldaro.com	Main +46 (0)8 736 1270
	internet www.caldaro.com	United Kingdom 0800 169 7950
		Germany +49 (0)6136 760 5600

CALDARO