

## Built for heavy duty

The Caldaro C14 joystick provides the best combination of full grip size and perfect precision. It's large enough to match the full-sized heavy duty machines and strong enough to withstand the toughest operators. You can rely on the C14 to stay intact and keep its detent year after year.

### It stands all the tests we can think of

- **All temperatures** – Hot or cold, the C14 will endure all temperatures from -40°C to +85°C.
- **The best materials** – The best material has been chosen for each component. The rubber mixture endures the toughest conditions.
- **The strongest shaft** – The shaft is manufactured in one single piece and with extended dimensions. This makes it practically impossible to bend.
- **Protected from fluids** – Thanks to its sealed panel mounting, the electronics are protected from all kinds of fluids and chemicals, such as water, salt, and oil.
- **Precision that lasts** – It will withstand more than 5 million operations and keep its detent precision.

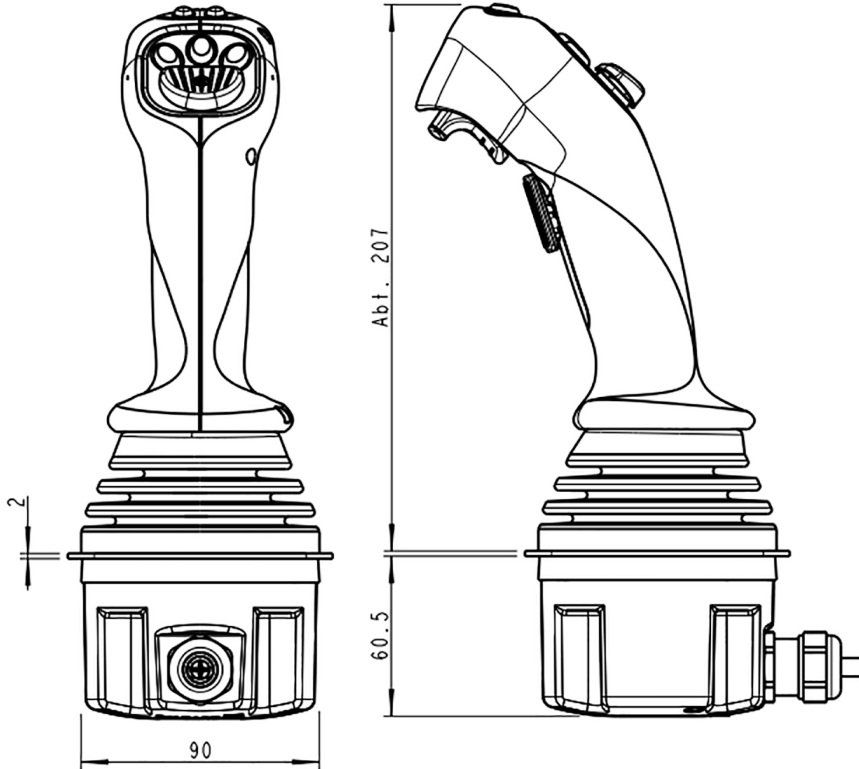
### Developed with customer input

- The C14 is tested in salt and copper mines.
- The C14's guide feeling is excellent.
- The C14 is made in Sweden.

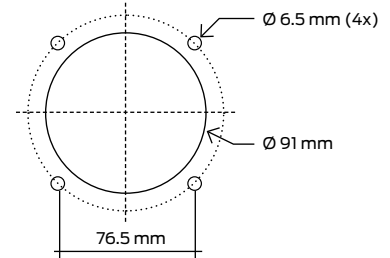
The C14 is available with a palette of handles that are suitable for every situation. Caldaro will make custom handles on demand.



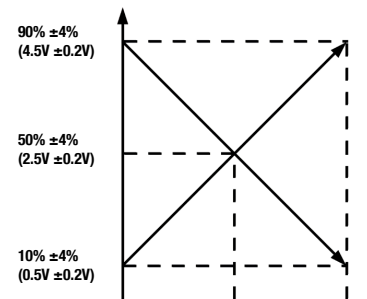
## Standard dimensions



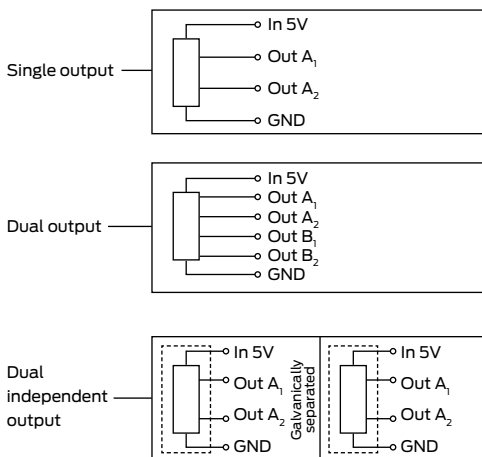
## Panel cutout



## Example of output signal



## » Output options



## » Specifications

### Mechanical and electrical specifications

Mechanical operating angle	X / Y axis: ±12° or ±20°
Operating force	X / Y axis: Abt. 4N ~ Abt. 8.5N (Abt. 400gf ~ Abt. 850gf) Max. 500N (max. 50kgf) (Static load)
Lever strength	
Life expectancy	10,000,000 full operations
Sensor type	Hall-effect
Total current consumption	Typically 17mA; Max 22mA
Applied voltage	5VDC ±10%
Load resistance	4,7 kΩ—100 kΩ pull down
Effective output	Abt. 10% ~ 90% V <sub>in</sub>
Resolution	Essentially infinite

### Environmental specifications

Operating temp. range	-40°C ~ +85°C
Storage temp. range	-40°C ~ +85°C
EMC	100V/m
ESD	±8kV (contact discharge) ±15kV (air discharge)