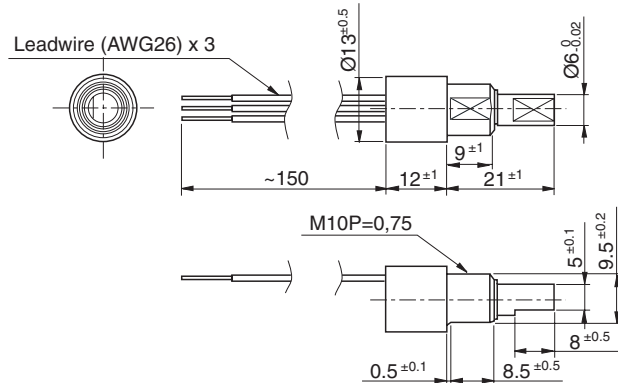


S01A

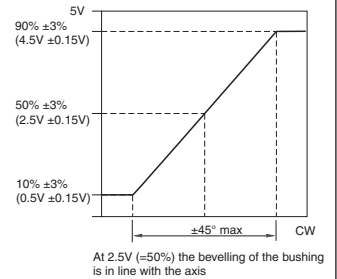
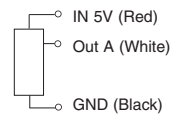


Hall effect

Standard Dimensions



Terminal Connection



General Specifications

Current Consumption	~ 6 mA
Independent Linearity	±1.5% FS
Electrical Travel	±45° (90°)
Mechanical Travel	360° (Endless)
Applied Voltage	5 VDC ±10%
Load Resistance	Over 10 kΩ min
Output Sensibility	~ 10% ~ 90% Vin
Output Temperature Characteristic	Below ±2.5% Vout • FS
Drift at Center Position	Below ±0.5% Vout • FS
Starting Torque	Below 2 mNm
Storage Temperature Range	-50 °C ~ +105 °C
Weight	~ 15 g

Environmental Specifications

EMC	50 V/m
ESD	±4 kV
Operating Temperature Range	~ -40 °C – +105 °C
Shock	100 g (18 times)
Vibration	10 Hz to 2,000 Hz 20 g
Life Expectancy	~ 50,000,000 shaft revolutions
Sealing	IP65

Special Specification Examples

Other electrical or mechanical angles. Machining in the shaft. Special wiring. Other output voltages as 0 ~ 100%, 5 ~ 95% etc.

Subject to change without prior notice. We refer to our general terms and conditions.

Contact:	E-mail info@caldaro.com	Main +46 (0)8 736 12 70
	Internet www.caldaro.com	United Kingdom 0800 169 7950
		Germany +49 (0)6136 760 56 00