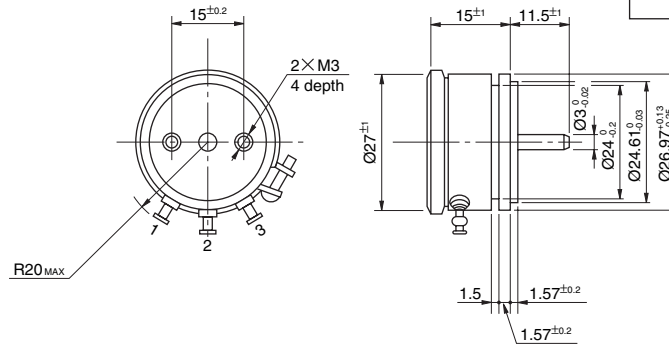


CP30

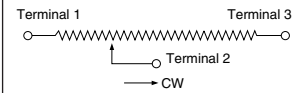


Wirewound

Standard Dimensions



Terminal Connection Diagram



General Specifications

Standard Resistance Values		See label below
Independent Linearity	Standard Class	±0.5%
	Precision Class	±0.15% (±0.2% in case of below 5 kΩ)
Electrical Travel		355° ±5°
Mechanical Travel		360° (Endless)
Noise		Below 100Ω E.N.R.
Power Rating		0.75 W
Starting Torque		Below 2 mNm
Resist. Temperature Coefficient of Wire		±20 p.p.m./°C
Weight		~ 30 g

Standard Resistance Values • No. of Wire Turns • Resistance Wire Used

Resistance Value (Ω) ±3%	50	100	200	500	1k	2k	5k	10k	20k	50k*
No. of Wire Turns	310	390	500	420	600	770	1,090	1,400	1,800	2,670
Resist. Wire Used	Cu-Ni System				Ni-Cr System					

Note: Mark * shows values at special higher practical resistance.

Environmental Specifications

Operating Temperature Range	~ -55 °C – +105 °C
Shock	50 g
Vibration	10 Hz to 2,000 Hz, 15 g
Life Expectancy	~ 1,000,000 shaft revolutions
Sealing	Std IP40, IP65 possible

Special Specification Examples

Better tolerances of resistance and linearity. Fractional resistance values. Other electrical or mechanical angles. Lower resistance values (10Ω, 20Ω). Up to 3 extra taps. Multi-ganged, up to 5 gangs (housing length is extended by 8.5 mm per gang). Shaft with front and rear extension (rear shaft with 3 mm dia. and 10 mm length). With stopper (rotating angle becomes 330° and stopper strength is 0.3 Nm). Special electrical travel. Shaft dia. (Ø 3.175 mm) with inch dimensions. Special machining on the shaft.

Subject to change without prior notice. We refer to our general terms and conditions.

Contact:	E-mail info@caldaro.com	Main +46 (0)8 736 12 70
	Internet www.caldaro.com	United Kingdom 0800 169 7950
		Germany +49 (0)6136 760 56 00