

# PEDAL MODELS



## P04A

A seesaw pedal with proportional as well as switch outputs, suitable for heavy-duty machinery.

## Specifications

### Mechanical performance

Operating force: ~ 1 – 20 N

### Electrical performance

#### Standard

Sensor technology: Potentiometer

Resistance value: 10 kΩ ±20%

Power rating: 0.3 W

Independent linearity tolerance: ±3%

#### Option

Sensor technology: Hall effect, ratiometric

Current consumption: ~7 mA per output

Independent linearity tolerance: ±3% FS

EMC: 100 V/m

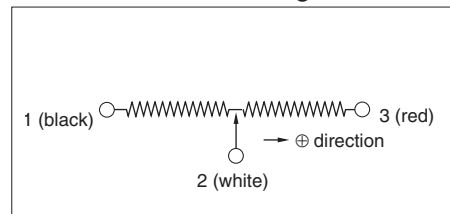
#### Switches (option)

Idle: On @ ~ ±3°

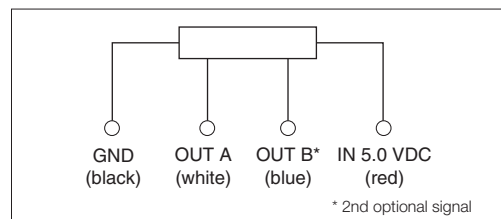
End: On @ ~ ±8°

Power rating: 5 A @ 125 VAC

### Terminal connection diagram: Potentiometer



### Terminal connection diagram: Hall effect (option)



## Tailored product examples

### Steel mill breaker



P03 pedal with CAN Open interface and special assembly wedge.

### Mobile walking excavator



Dual potentiometer and special wiring with Deutsch connector.

### Winch control



Seesaw pedal with additional direction signals and special PUR-cable.

Subject to change without prior notice. We refer to our general terms and conditions.

Contact:	e-mail <a href="mailto:info@caldaro.com">info@caldaro.com</a>	Main +46 (0)8 736 1270
	internet <a href="http://www.caldaro.com">www.caldaro.com</a>	United Kingdom 0800 169 7950
		Germany +49 (0)6136 760 5600

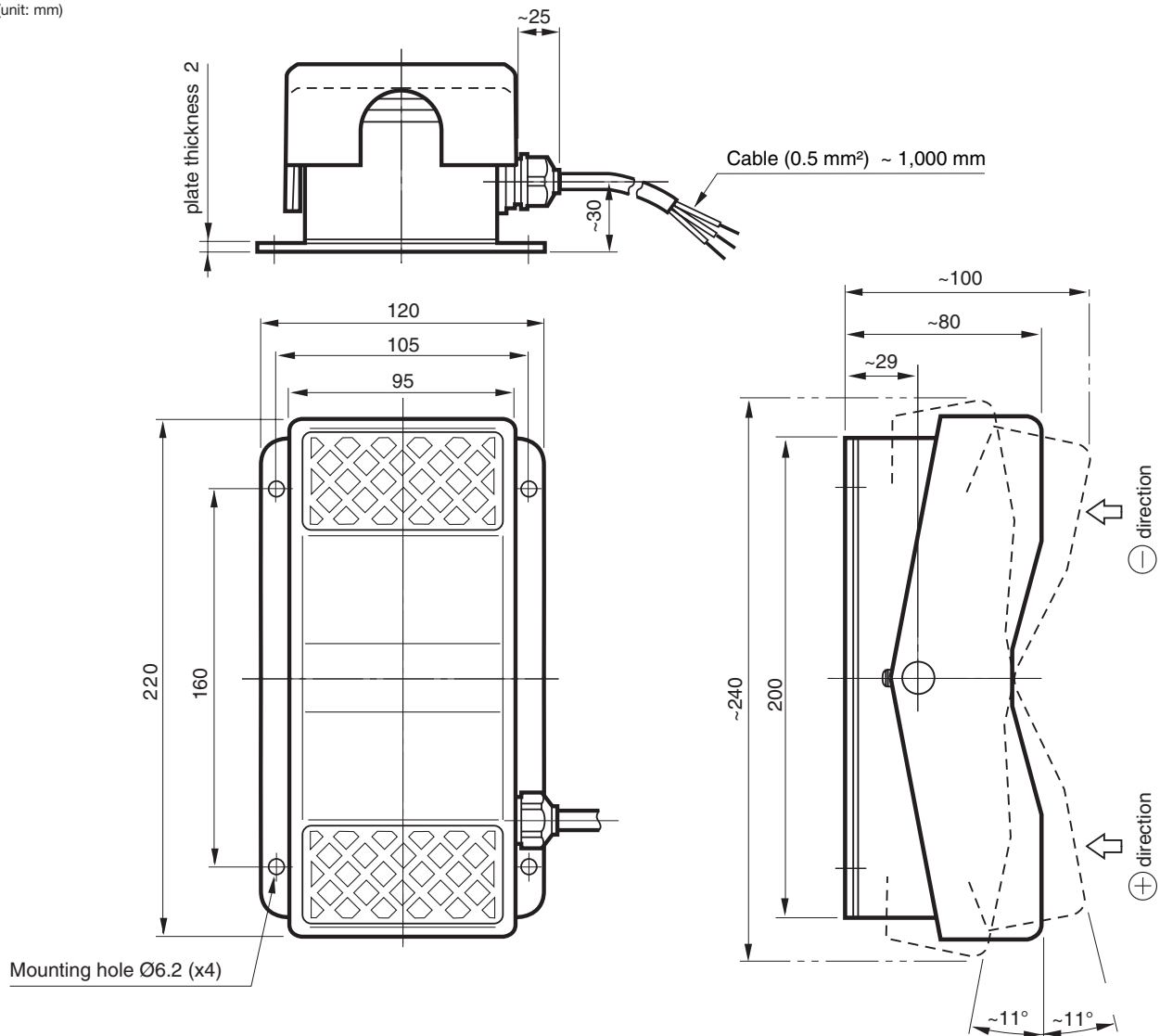
# PEDAL MODELS



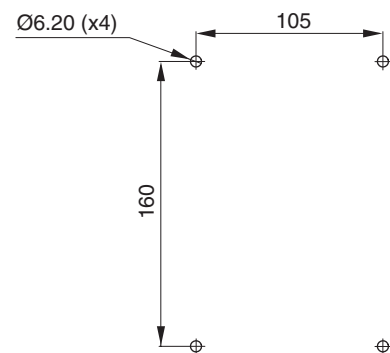
## P04A

### Standard dimensions P04A-NNN-CAN

(unit: mm)



### Panel arrangement



Subject to change without prior notice. We refer to our general terms and conditions.

	Contact:	<b>e-mail</b> <a href="mailto:info@caldaro.com">info@caldaro.com</a>	<b>Main</b> +46 (0)8 736 1270
		<b>internet</b> <a href="http://www.caldaro.com">www.caldaro.com</a>	<b>United Kingdom</b> 0800 169 7950
			<b>Germany</b> +49 (0)6136 760 5600

# CALDARO