

JOYSTICK MODELS



S05A

Our ultra compact proportional thumb rocker. Ideal for integration into professional armrests or grips etc. Unique sealable design.



Specifications

Mechanical performances

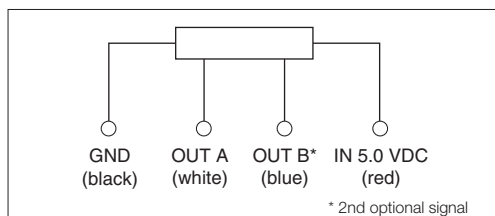
Operating force: ~14 – 30 mNm
 Life expectancy: ~ 10,000,000 operations
 Seal: IP65

Electrical performances

Sensor technology: Hall effect, ratiometric
 Current consumption: ~7 mA per output
 Independent linearity tolerance: ±3% FS
 EMC: 100 V/m

P/N configurations, further specifications and options, please see our Position Sensors catalogue.

Terminal connection diagram: Hall effect



Tailored product examples

Harbour Crane



Special handle with including S05 sensor having dual output of 25 to 75% applied voltage.

Road maintenance vehicle



5-axis joystick with special handle incorporating 3 proportional S05 sensors and 5 pushbuttons.

Farming tractor



S05 unit with knob and pre-programmed for easy assembly at dashboard.

Subject to change without prior notice. We refer to our general terms and conditions.

Contact:	e-mail info@caldaro.com	Main +46 (0)8 736 1270
	internet www.caldaro.com	United Kingdom 0800 169 7950
		Germany +49 (0)6136 760 5600

CALDARO

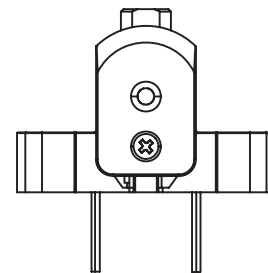
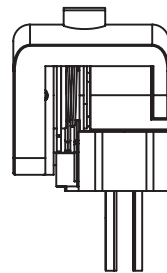
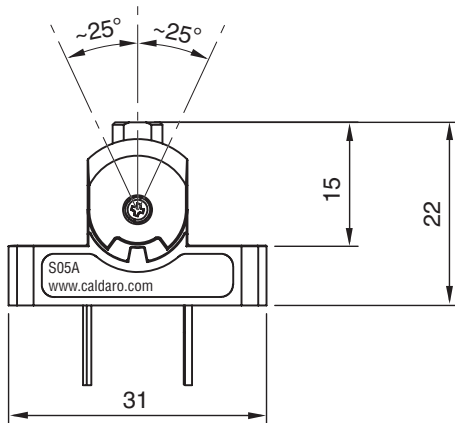
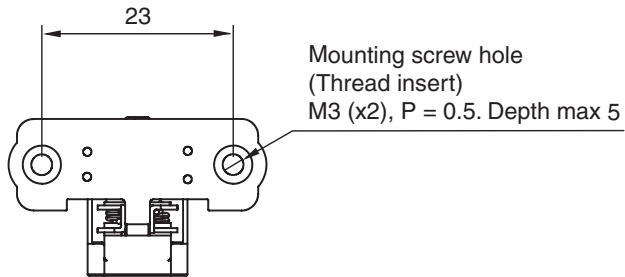
JOYSTICK MODELS



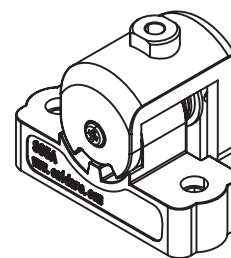
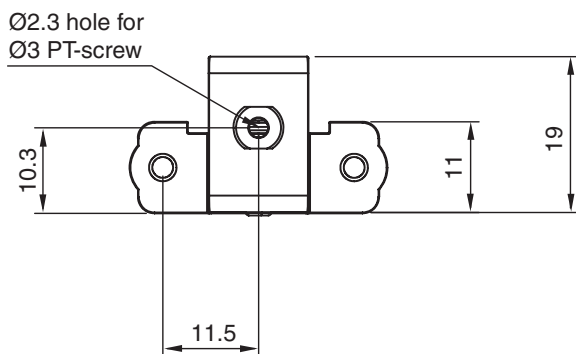
S05A

Standard dimensions S05A-H0050-CS

(unit: mm)



Lead wire (0.22 mm²)
~ 750 mm



Subject to change without prior notice. We refer to our general terms and conditions.

	Contact:	e-mail info@caldaro.com	Main +46 (0)8 736 1270
		internet www.caldaro.com	United Kingdom 0800 169 7950
© Caldaro - JAI			Germany +49 (0)6136 760 5600

CALDARO