

PEDAL MODELS



P04A

A seesaw pedal with proportional as well as switch outputs, suitable for heavy-duty machinery.

Specifications

Mechanical performance

Operating force: ~ 1 – 20 N

Electrical performance

Standard

Sensor technology: Potentiometer

Resistance value: 10 kΩ ±20%

Power rating: 0.3 W

Independent linearity tolerance: ±3%

Option

Sensor technology: Hall effect, ratiometric

Current consumption: ~7 mA per output

Independent linearity tolerance: ±3% FS

EMC: 100 V/m

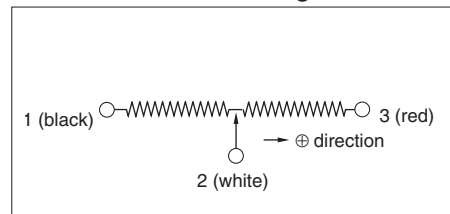
Switches (option)

Idle: On @ ~ ±3°

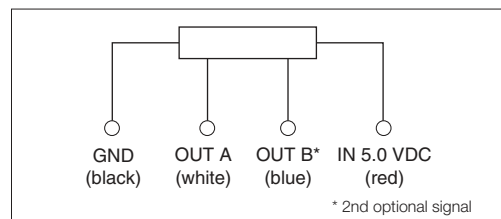
End: On @ ~ ±8°

Power rating: 5 A @ 125 VAC

Terminal connection diagram: Potentiometer



Terminal connection diagram: Hall effect (option)



Tailored product examples

Steel mill breaker



P03 pedal with CAN Open interface and special assembly wedge.

Mobile walking excavator



Dual potentiometer and special wiring with Deutsch connector.

Winch control



Seesaw pedal with additional direction signals and special PUR-cable.

Subject to change without prior notice. We refer to our general terms and conditions.

Contact:	e-mail info@caldaro.com	Main +46 (0)8 736 1270
	internet www.caldaro.com	United Kingdom 0800 169 7950
		Germany +49 (0)6136 760 5600

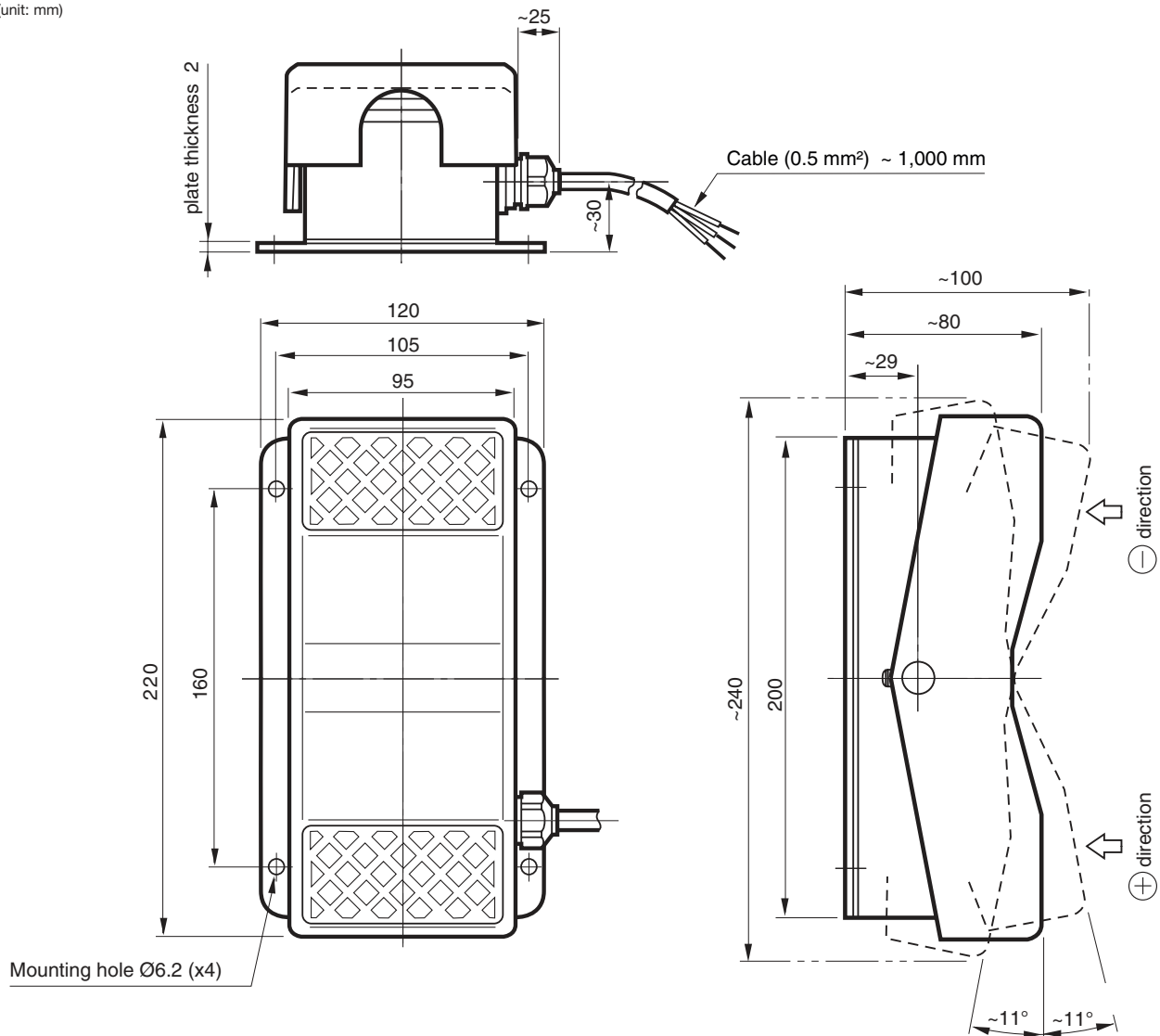
PEDAL MODELS



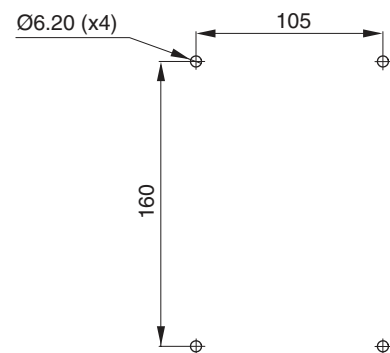
P04A

Standard dimensions P04A-NNN-CAN

(unit: mm)



Panel arrangement



Subject to change without prior notice. We refer to our general terms and conditions.

	Contact:	e-mail info@caldaro.com	Main +46 (0)8 736 1270
		internet www.caldaro.com	United Kingdom 0800 169 7950
			Germany +49 (0)6136 760 5600

CALDARO