



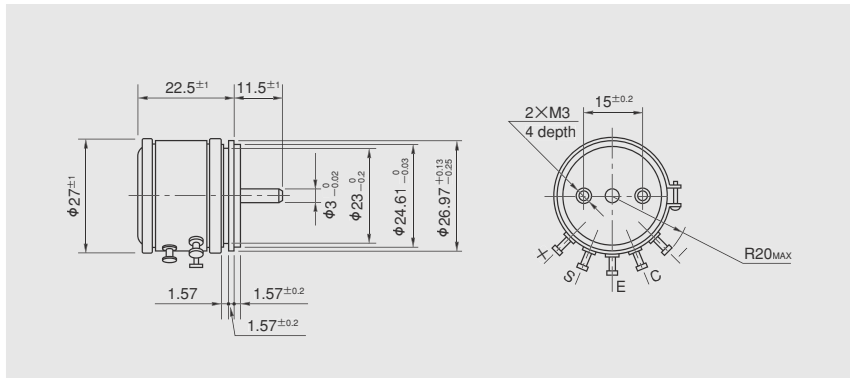
# FSCB30A

Conductive Plastic • Servomount • RoHS Compliant

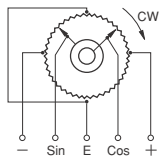


Model  
FSCB30A

## ● Standard Dimensions



## ● Terminal Connection Diagram



## ● General Specifications

Standard Resistance Values	1k, 2k, 5k, 10k ( $\Omega$ )
Special Practical Resistance Values	500, 20k, 50k ( $\Omega$ )
Total Resistance Tolerance	Standard Class $\pm 15\%$ (L) Precision Class $\pm 10\%$ (K)
Conformity Tolerance (Peak-Peak)	Standard Class $\pm 1.0\%$ Precision Class $\pm 0.7\%$
Resolution	Essentially infinite
Output Smoothness	Within 0.1% against input voltage
Contact Resistance Variation	Within 8% C.R.V.

Power Rating	0.75W
Electrical Travel	$360^\circ$ (Endless)
Mechanical Travel	$360^\circ$ (Endless)
Insulation Resistance	Over 1,000M $\Omega$ at 500V.D.C.
Dielectric Strength	1 minute at 500V.A.C.
Starting Torque	Within 3mN · m (30gf · cm)
Resistance Temperature Coefficient	$\pm 400$ p.p.m./ $^\circ$ C
Mass	Approx. 30g

## ● Special Specifications Available

(In case of the potentiometer with special specifications, the general specifications and environmental specifications may change. Please consult us in advance.)

- Multi-ganged (Available up to 3 gangs. Housing length is extended by 16mm per 1 gang)
- Shaft with front and rear extension (Rear shaft with 3mm dia. and 10mm length)
- Shaft dia. ( $\phi$  3.175mm) with inch dimension
- Special machining on the shaft