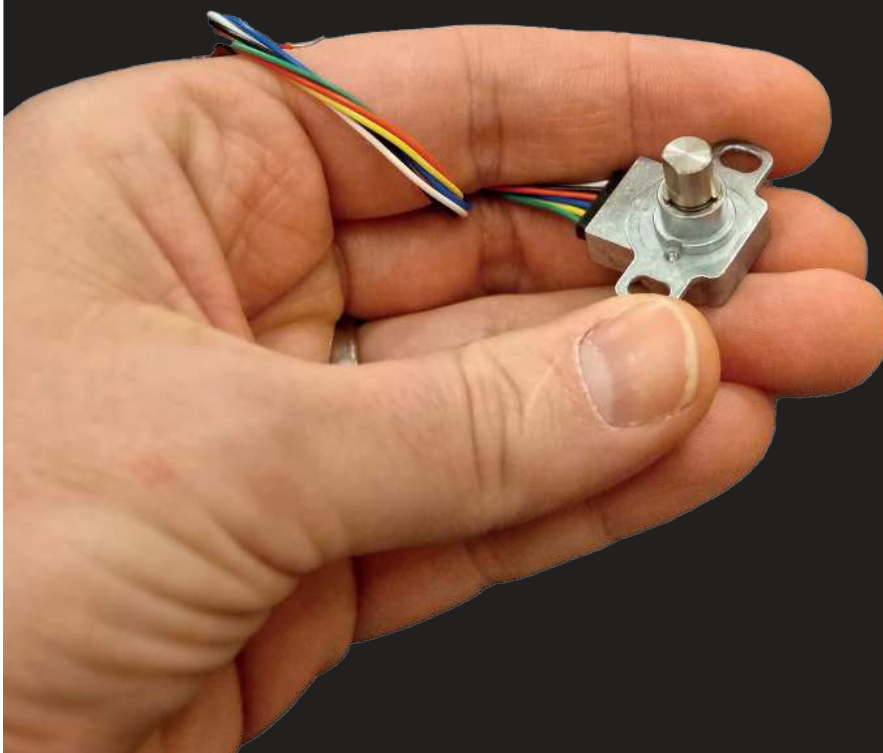




Tiny and tough

The S11 is an extremely compact sensor that can fit almost anywhere, just 6.2 millimetres thick, 28.8 millimetres wide and weighing only 11 grams. Despite its small dimensions, it is designed to withstand the harshest environments.



Ideal for narrow and exposed positions

- Over 100 million revolutions
- Single, dual, or dual independent outputs
- 360 degrees endless rotation
- IP67 (for incorporated PCB)
- Metal housing, only 6.2 millimetres thick

Probably a longer life expectancy than you need

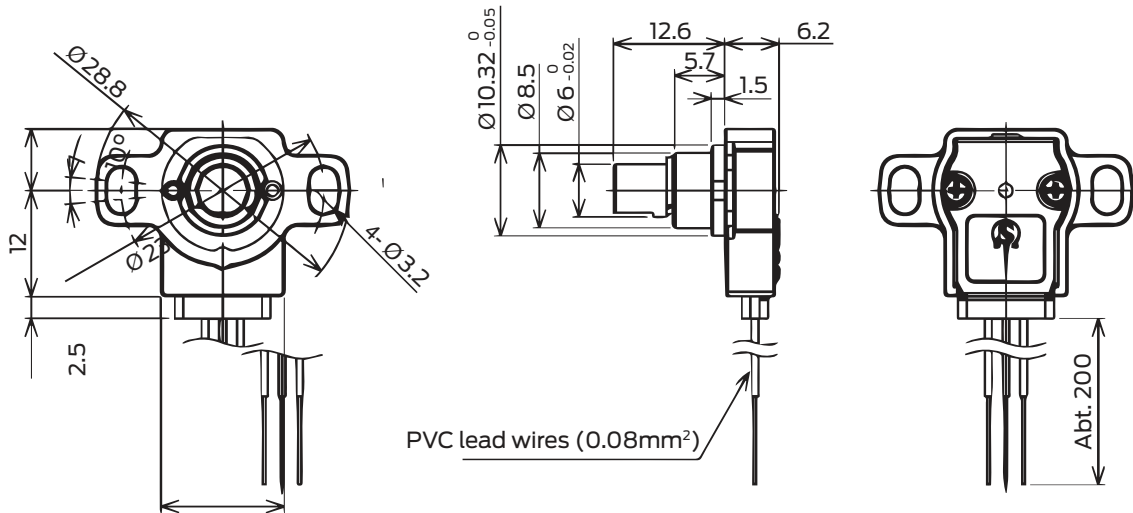
The tight and sealed metal housing makes this small sensor a lot tougher than you might expect at first glance. And one hundred million revolu-

tions are a lot. The S11 contactless hall sensor will keep on doing the job almost forever.

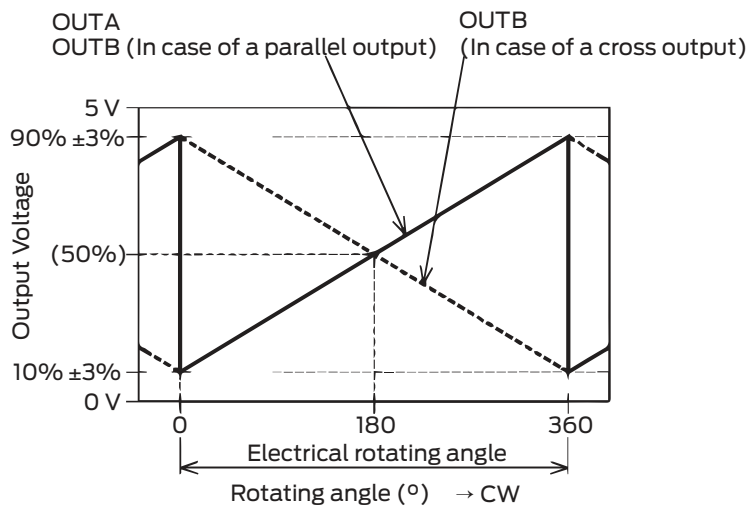
» Sensor S11 – Specification

Output type Single output, Dual output, Dual independent output
 Mechanical rotating angle 360° (Endless)
 Starting torque Below 5 mN·m (50 gf·cm)
 Current consumption Single output, max 16 mA. Dual output, max 32 mA.
 Independent linearity tolerance Within ±1% FS
 Electrical rotating angle 360°
 Applied voltage 5 V.D.C. ±10%
 Effective output 10 ±3%~90 ±3% Vin
 Dielectric strength 1 minute at 500 V.A.C.
 Insulation resistance Over 1,000 MΩ at 500 V.D.C.
 Operating temperature range -40°C~+105°C
 Index of protection IP65, IP67 for the incorporated PCB part only
 EMS tolerance 100 V/m 80 MHz~6 GHz (According to ISO11452-1~-3)
 ESD tolerance ±8 kV Contact discharge / ±15 kV Air discharge (It applies to IEC 61000-4-2)
 Mechanical life expectancy Approx. 100,000,000 shaft revolutions
 Mass Approx. 11g

Use caution; Organic solvents such as acetone, oil or alcohol solutions such as ethanol droplet could leave chemical burn scars on plastic surface. Any environments where chemical proofs (Organic solvent resistance, alcohol resistance, etc) are required, extra caution should be exercised.



Output Characteristics



Terminal diagrams

