

## Exceptional

The M05 wheel has been designed for high speed applications, and is extremely shock resistant. This precision wheel is super tough yet deliciously smooth.

### Tough and smooth:

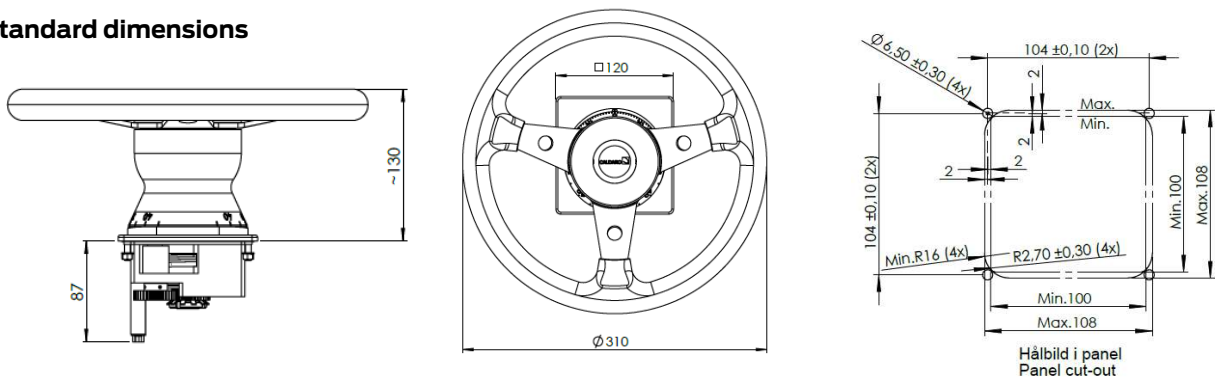
- **Extremely shock resistant** – The housing milled from a rigid block of aluminum guarantees safe operation in every situation.
- **Premium look** – Brushed black anodized aluminum finish on panel plate.
- **LED illumination** – Dimmable LED illumination guarantees effortless readout in every situation.
- **Safety first** – Can be equipped with dual independent hall-effect sensors.
- **Versatile** – Various versions of wheels; anodized aluminum, rubber coated.

### Other features making M05 irresistible:

- Friction hold or spring return
- Center cap with custom logo
- Hall-effect sensor or potentiometer
- Made in Sweden



### Standard dimensions



## Specifications

Handle movement	266° or 540°
Indicator	45-0-45 or unnumbered
Detent	On zero
Materials	Black anodized aluminum, PMMA scale
Sensors	Hall effect sensor / Potentiometer
Enclosure	IP66 from panel and above
LED	Green or white, voltage dimmable LED 8-24VDC
Connector	D-Sub 25-pole male
Sensor	Hall effect Sensor (M05-H) Potentiometer 2x10kOhm, with 1k end resistors (M05-P)
Standard versions	<b>M05-H</b> Hall-effect sensor, friction hold, zero detent, +/- 270° <b>M05-P</b> Potentiometer sensor, friction hold, zero detent, +/- 270° <b>M05A-H</b> Hall-effect sensor, friction hold, zero detent, +/- 133° <b>M05A-P</b> Potentiometer sensor, friction hold, zero detent, +/- 133° <b>M05ASR-H</b> Hall-effect sensor, spring return, +/- 133° <b>M05ASR-P</b> Potentiometer sensor, spring return, +/- 133°
Other Options	Customer logo on panel and center cap 310mm or 340 mm diameter wheel Other options available on request

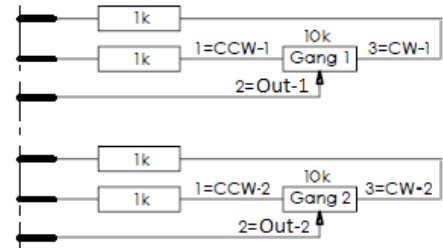
## Pin Configuration

### Dual Independent Hall sensors

1. Out-A
2. GND-A
3. In-A +5VDC
4. Out-B
5. GND-B
6. In-B +5VDC
8. +24V LED
9. GND LED

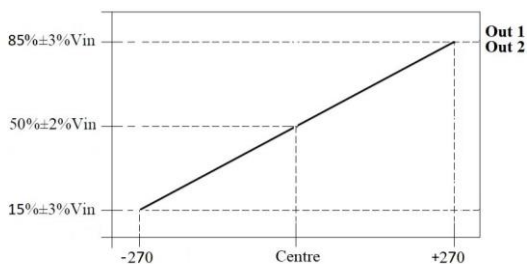
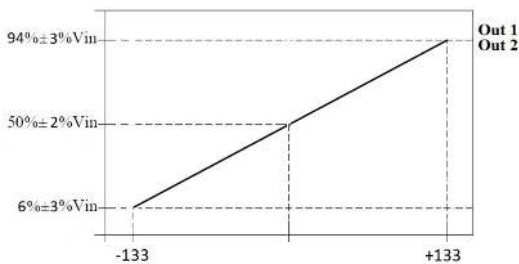
### Potentiometer

1. CW-1
2. CCW-1
3. OUT-1
4. CW-2
5. CCW-2
6. OUT-2
8. +24V LED
9. GND LED



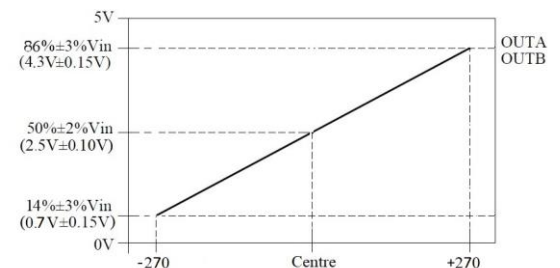
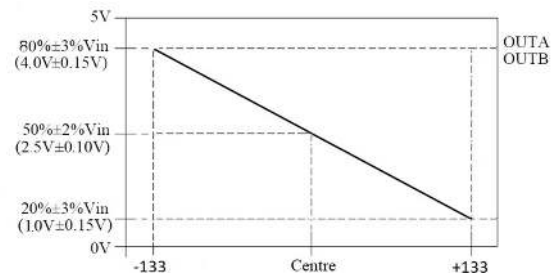
## Output options

### Potentiometer



Angle (°) → CW

### Hall-effect



Angle (°) → CW