

Precise

These controls have the smooth yet responsive feel that only comes with watchmaker precision build and highest quality parts. The optimum resistance has been designed into the product to give the perfect sense of control.

Watch maker precision:

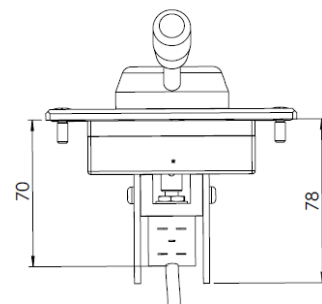
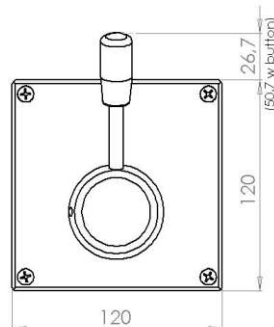
- **Precision control** – The consistent smooth friction, and exact detents will ensure effortless control over the vessel.
- **Premium look** – Brushed black anodized aluminum finish on panel plate.
- **Durable** – Durable hall-effect sensor for precision and longevity.

Other features making M06 irresistible:

- Center detent
- Made in Sweden



Standard dimensions



Specifications

Handle movement	+/-60°
Indicator	Yellow indicator on panel, other colors on request
Detent	On zero
Materials	Black anodized aluminum
Sensors	Hall effect sensor / Potentiometer
Enclosure	IP66 from panel and above
Connector	500mm cable with D-Sub 9-pole male attached
Sensor	Hall- effect Sensor Potentiometer
Standard versions:	M06A-H Hall-effect sensor, friction hold, with center detent M06A-P Potentiometer sensor, friction hold, with center detent
Other Options	Customer logo Other options available on request

Pin Configuration

Dual Independent Hall-effect sensors

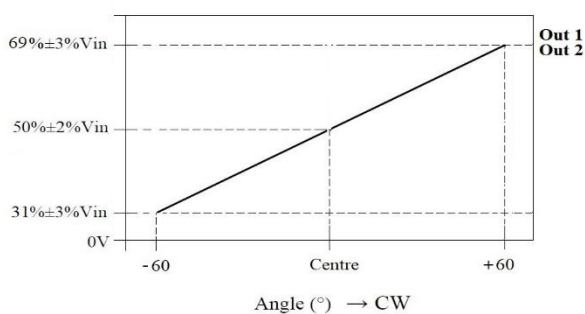
1. In-A +5VDC (Red)
2. GND-A (Black)
3. Out-A (STB White)
4. In-B +5VDC (Green)
5. GND-B (Yellow)
6. Out-B (Blue)

Potentiometer

1. CW (Blue)
2. CCW (White)
3. OUT (Grey)
4. CW (Purple)
5. CCW (Brown)
6. Out (Pink)

» Output options

Potentiometer



Hall-effect

