



# Super sealed

This single-axis mini joystick C16 results from 20 years of experience in the toughest usage conditions. The heart of the joystick, the electronics, is completely sealed. The unique rubber gaiter protects the joystick and is tightly sealed to the panel, which makes it even more durable.



## Virtually indestructible

- **Protected electronics** – The circuit board and the electronics are potted with compounds that protect them from threats such as salt, mist, water, lubricants and virtually all chemicals.
- **Almost indestructible** – Our engineers put it through an extreme durability test. We pulled and pushed the knob in all directions until it snapped off at very high loads. However, the only thing that possibly happened was that the knob had snapped out of gear. With a simple push, the joystick was fully functioning again.
- **A tight seal** – A rubber gaiter protects the joystick and tightly seals it towards the panel when the joystick is mounted.
- **The best materials** – The best material has been chosen for each component. The rubber mixture endures the harshest conditions.

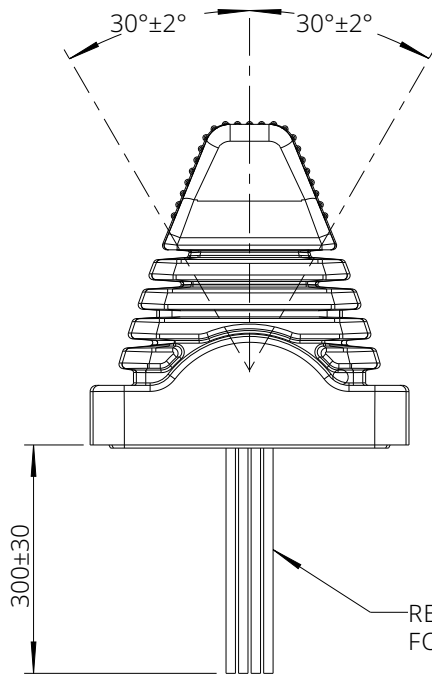
## Other features making the C16 irresistible:

- Ergonomic design
- Smooth operator control with high precision
- Made in Sweden

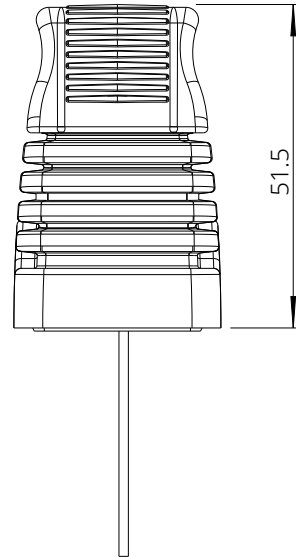




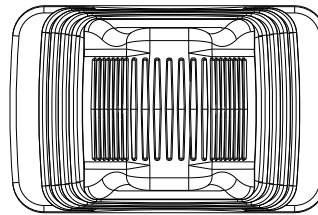
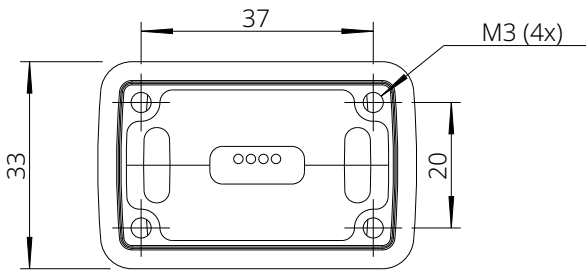
# JOYSTICK C16



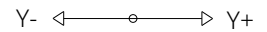
## STANDARD DIMENSIONS



RED WIRE AT FRONT FOR Y+ DIRECTION

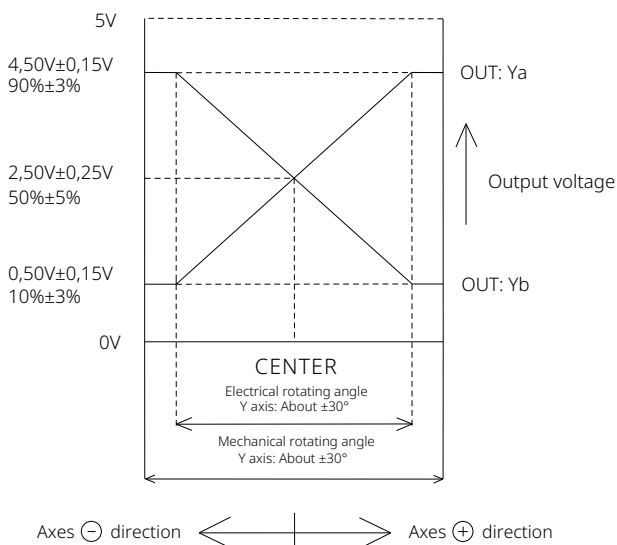


DIRECTION OF LEVER OPERATION



## OUTPUT OPTIONS

### OUTPUT CHARACTERISTICS



## SPECIFICATIONS

### MECHANICAL AND ELECTRICAL SPECIFICATIONS

Mechanical operating angle	±30°
Lever strength	Max 200N static load
Life expectancy	5,000,000 full operations
Sensor type	Hall-effect
Total current consumption	17mA-22mA
Applied voltage	5VDC ±10%
Load resistance	4,7kΩ-100kΩ pull down
Effective output	Standard 10%-90% Vin, other ratios on request
Resolution	Essentially infinite

### ENVIRONMENTAL SPECIFICATIONS

Operating temperature range	-40°C to +85°C
Storage temperature range	-40°C to +85°C
EMC	100V/m
ESD	±8kV (contact discharge) ±15kV (air discharge)