



C06

Industrial Joysticks Palm Grip Type

CALDARO

C06A-B

Our most popular joystick, suitable for many different applications and markets. This joystick offers many features that can be tailored with respect to handles, mechanical functions and electrical functions. The joystick is delivered as standard with a long-life potentiometer, but it can be equipped with a Hall effect sensor where required.

Specifications

Mechanical performance

Operating force: ~ 3 – 15 N

Electrical performance

Standard

Sensor technology: Potentiometer

Resistance value: 10 kΩ ±15%

Power rating: 0.2 W

Independent linearity tolerance: ±3%

Option

Sensor technology: Hall effect, ratiometric

Current consumption: ~7 mA per output

Independent linearity tolerance: ±3% FS

EMC: 100 V/m (sensor mounted)

Direction switch (option)

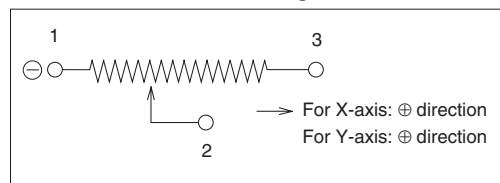
Power rating: 5 A @ 125 VAC

Pushbutton (momentary type)

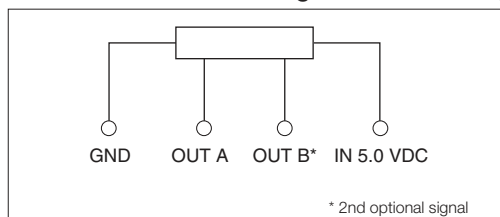
Power rating C06A: 3 A @ 125 VAC

Power rating C06B: 50 mA @ 24 VDC

Terminal connection diagram: Potentiometer



Terminal connection diagram: Hall effect (option)



Tailored product examples

Firefighting equipment



2-axis joystick with sealed 3 button handle.

Naval ship



With 'put and stay' on all 3-axis special handle engraved with heading, and pushbutton.

Rope crane



With special handle for 9-axis proportional control including a 3-way switch.



C06

Industrial Joysticks Palm Grip Type

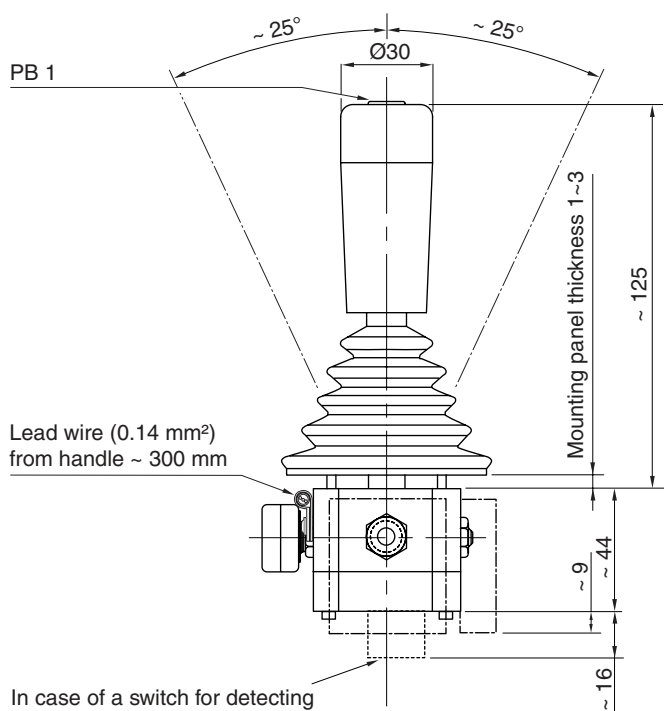
CALDARO

C06A-B

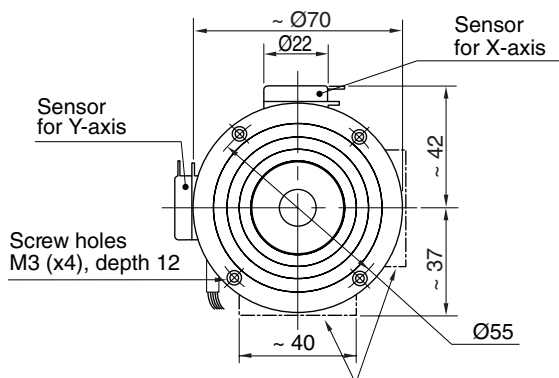
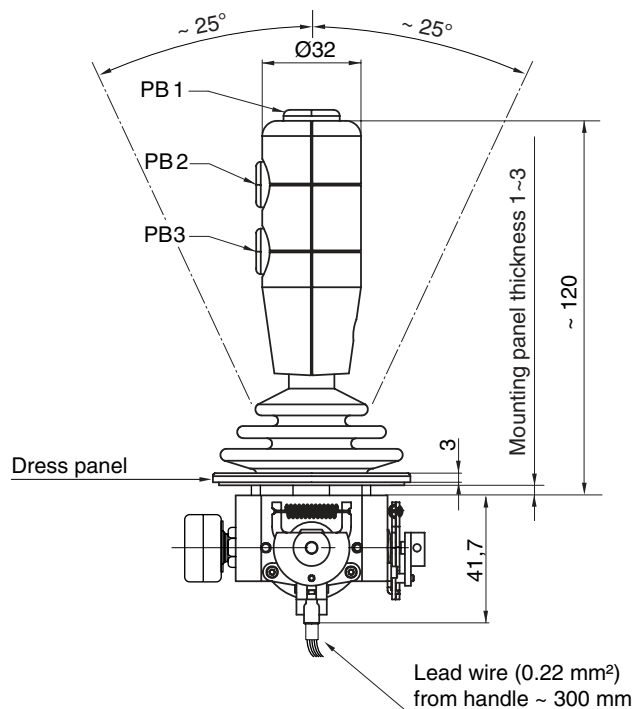
Standard dimensions

unit: mm)

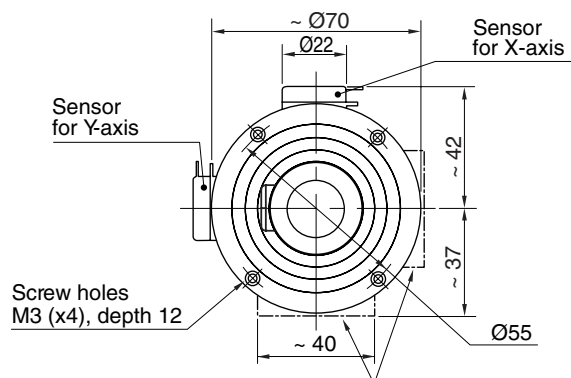
C06A-12CAN-2SNRS



C06B-32CAN-2SNRS



Direction switches can be mounted on each of the X- and Y-axis



C06B spring return mechanism. Direction switches can be mounted on each of the X- and Y-axis.

Panel arrangement

